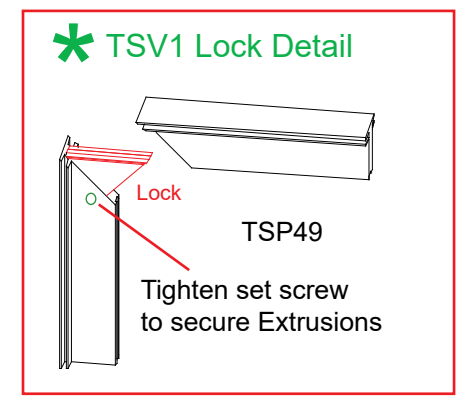
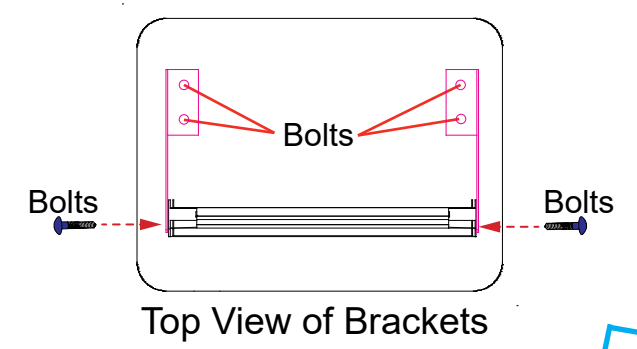


Item	Qty.	Description
1/1A	1/1	32.075" TSP49 Curved Extrusion
1B	1	16.34" TSP49 Curved Extrusion
2/2A	1/1	32.075" TSP49 Curved Extrusion
2B	1	16.34" TSP49 Curved Extrusion
3	1	20" TSP49 Horizontal Extrusion
4	1	20" TSP49 Horizontal Extrusion
5	1	20" TSP49 Horizontal Extrusion
6	1	20" TSP49 Horizontal Extrusion
7	1	16.4" Z45 Horizontal Extrusion

- Steps:
- 1) Connect Curved Extrusions [1] to [1A] and [2] to [2A].
 - 2) Connect assemblies [1/1A] and [2/2A] to [3] and [4], with assembled Light Box. See **TSV1 Lock Detail**.
 - 3) Attach assembled frame to base, using bolts.
 - 4) Attach **Support Brackets** to back, using bolts.
 - 5) Apply front SEG Graphics. See **SEG Graphic Installation** detail.
 - 6) Position Horizontal [7] then lock in place.
 - 7) Attach iPad Mount. See **iPad Mount Attachment** detail.
- Continued page 2 --



SEG Graphic Installation

Corner A Corner B
Corner D Corner C

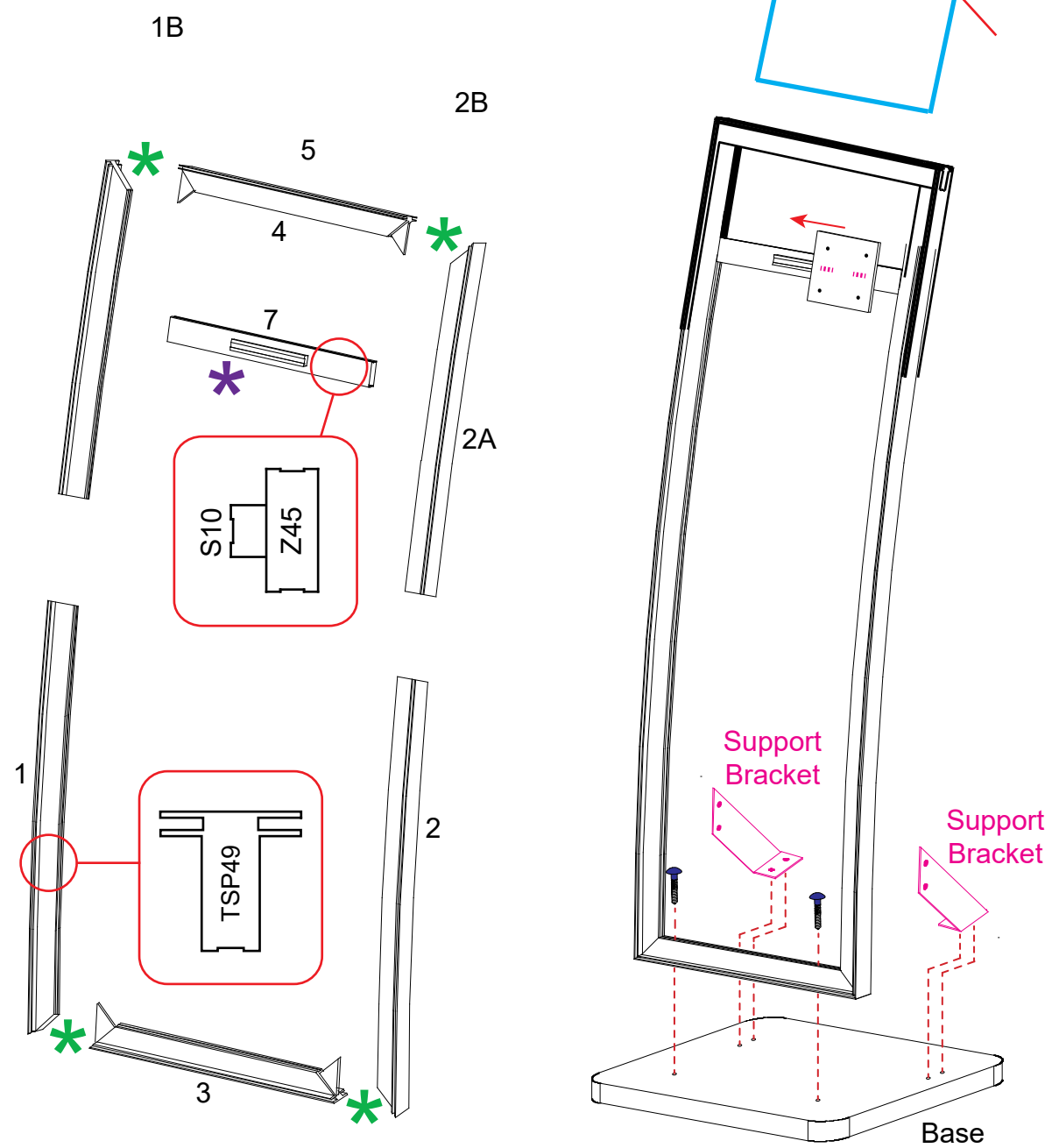
Step 1
Insert corner A. Turn edge of graphic so silicon welt is perpendicular to face of graphic. Insert narrow side of welt with fabric to outside into the channel. Repeat for other side of this corner.

Step 2
Repeat Step 1 for opposite corner C, then insert corner B, followed by corner D, to complete the installation of the corners.

Step 3
Once all corners are inserted, press one silicon edge into channel from corners and work toward the center. Make sure welt is fully inserted into channel. Continue until all sides are done. Smooth out edges of graphic.

Graphic Removal
To remove the graphic from the frame, locate the fabric pull tab. Gently pull up on the tab to remove the fabric.

It is important to first insert graphic into each alternate corner then to the sides of the frame. If this is not done, graphic will not fit into the frame correctly.



* iPad Mount Attachment

Z45

S10

Mount

Bolt

V20

7

Bolt

V20

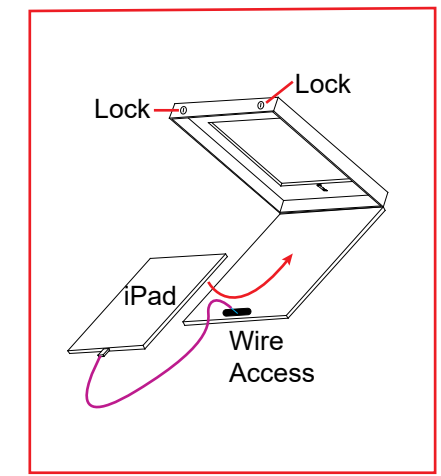
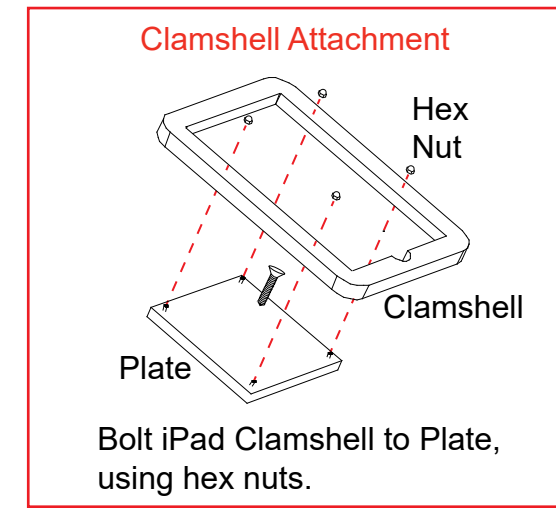
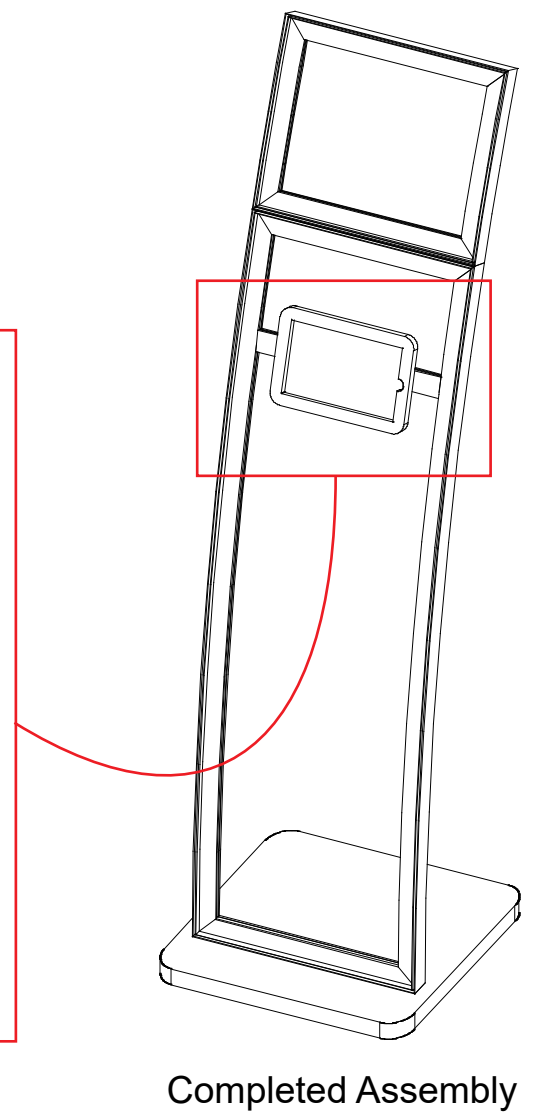
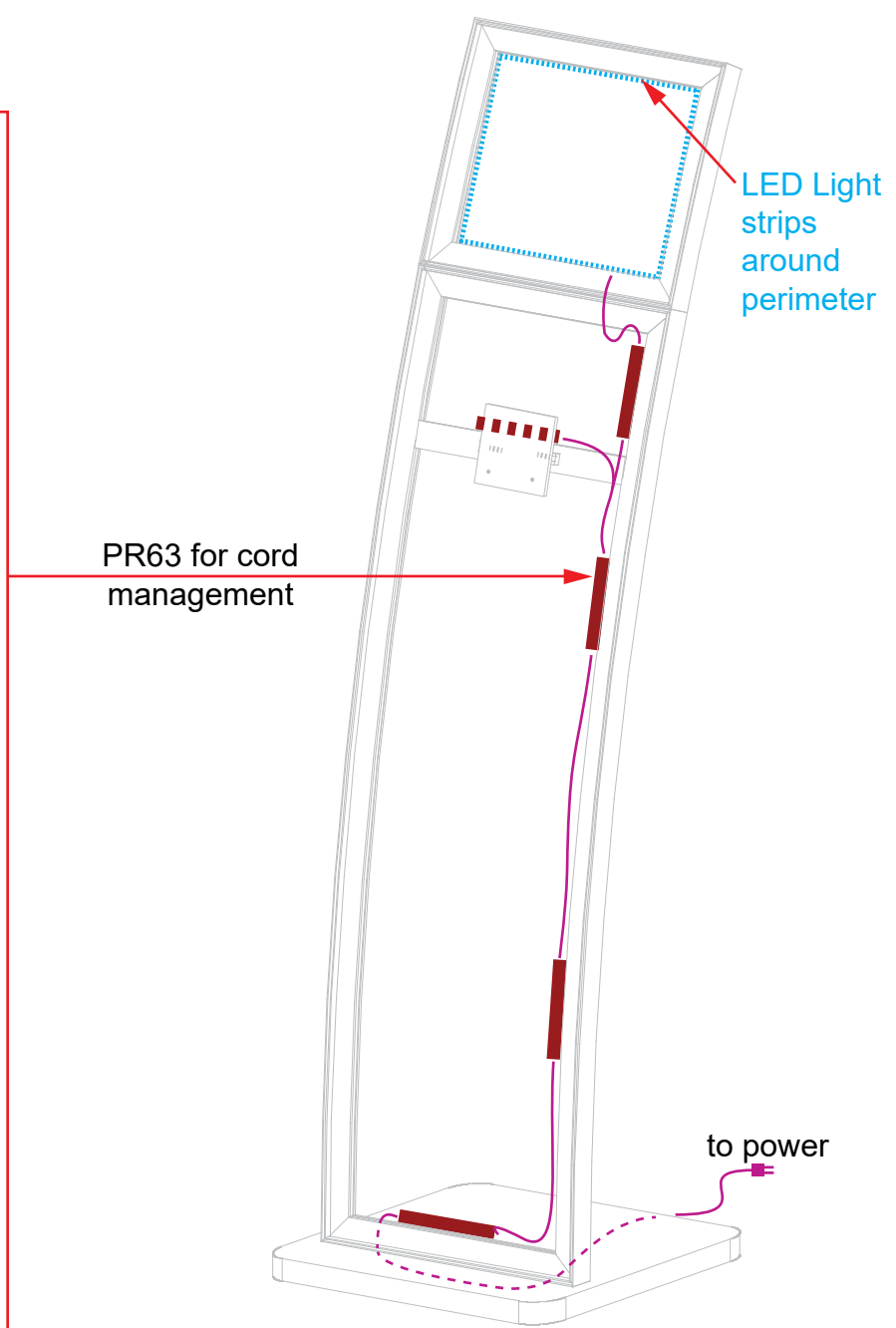
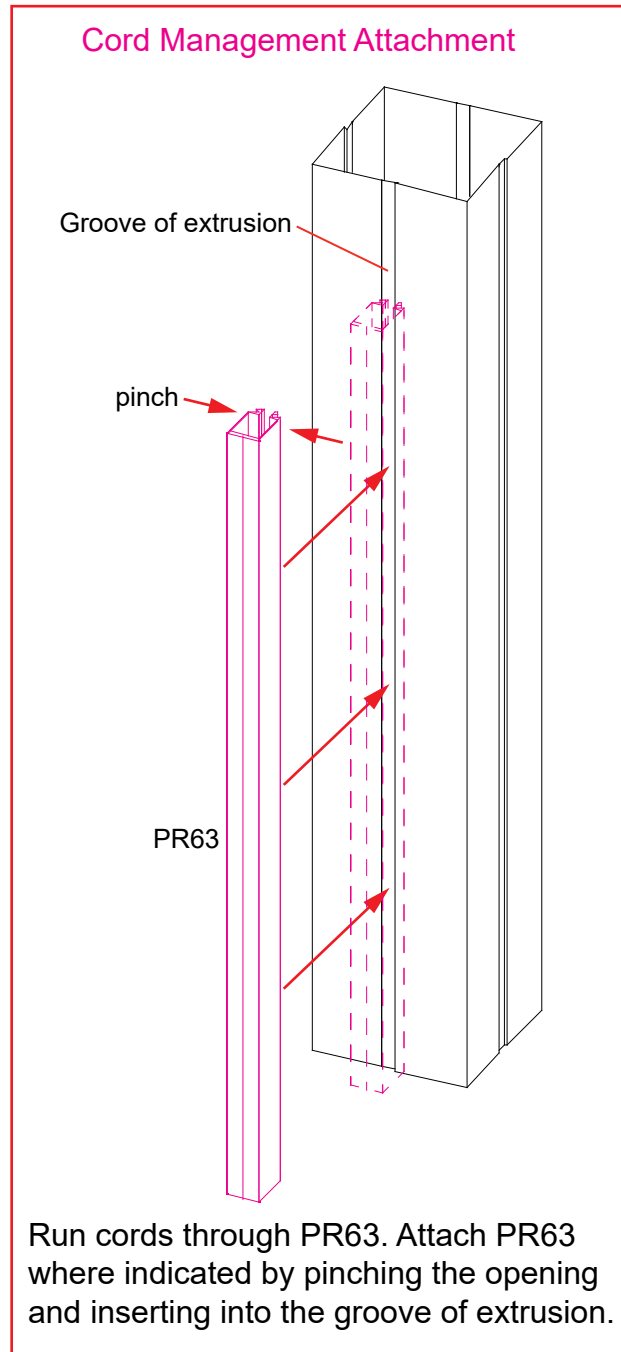
Mount

Apply SEG Graphic and position extrusion [7] by loosening set screws, sliding into place, then tightening set screws. S10 Extrusion should poke through hole in Graphic. Loosen bolts on iPad mount (Do Not Remove) then slide V20's into S10 groove. Tighten bolts to secure.

Do not remove bolts from V20's

SETUP INSTRUCTIONS

- Steps Continued--
 9) Attach Clamshell with iPad and arrange cords.
 10) Attach PR63 for cord management. See [Cord Management Attachment](#) detail.
 11) Apply back SEG Graphic to assembled frame.



General Setup Instructions

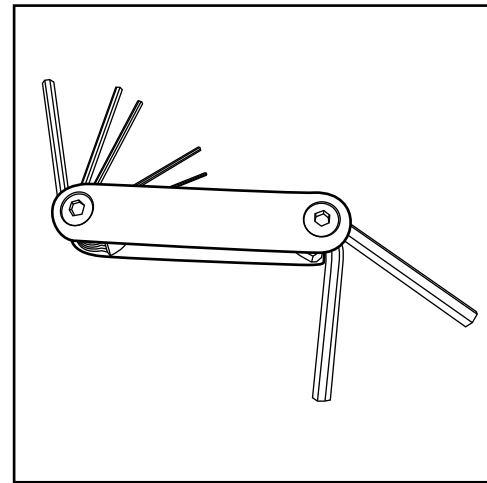
- Read entire setup instruction manual prior to unpacking parts and pieces.
- The setup instructions are created specifically for this configuration.
- Setup instructions are laid out sequentially in steps, including exploded views with detailed explanation for assembly.

Cleaning & Packing

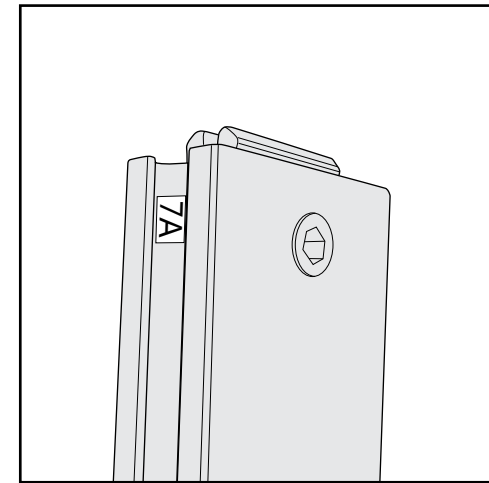
- For Cleaning Metal, Plex, & Laminate Parts: Use a **MILD NON-ABRASIVE** cleanser and soft cloth/paper towel to clean all surfaces.
- Keep exhibit components away from heat and prolonged sun exposure. **Heat and UV exposure will warp and fade components.**
- Retain all provided Packing Materials. All provided packing materials are for ease of repacking & component protection.

Disassembly

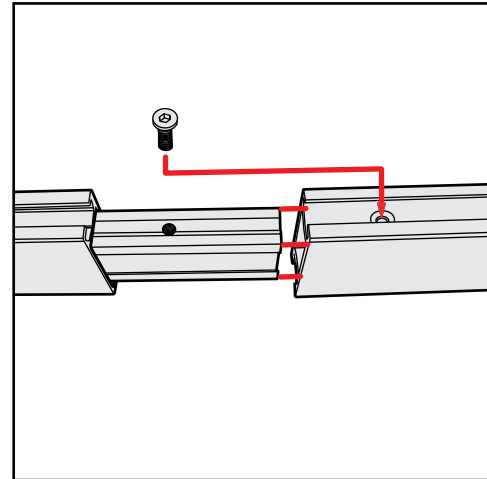
- For loss prevention, tighten all set screws and locks during disassembly.



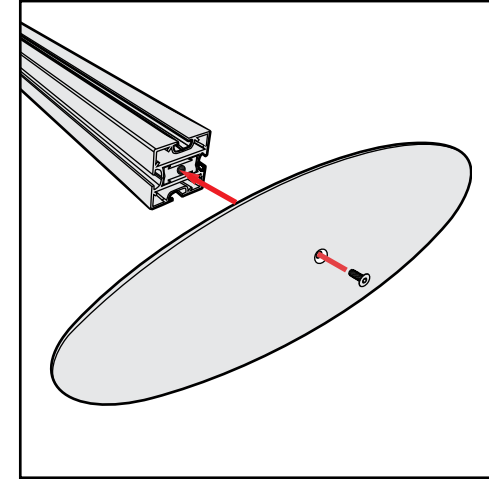
Hex Tool - Essential for Assembly



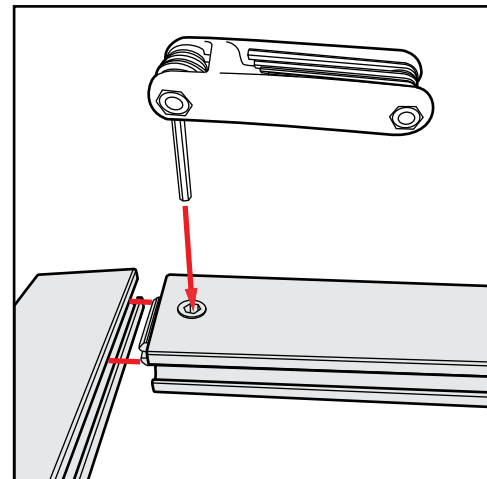
Part Identification - Numbering



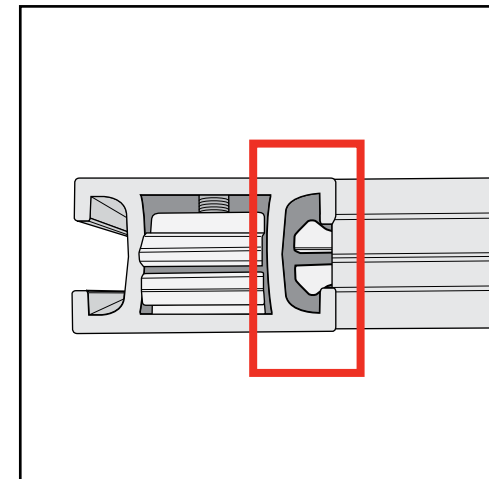
Spline Connection



Base Plate & Extrusion Connection



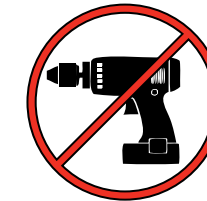
Extrusion & Lock Connection



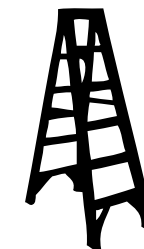
Engaged Lock



WARNING



DO NOT USE POWER TOOLS

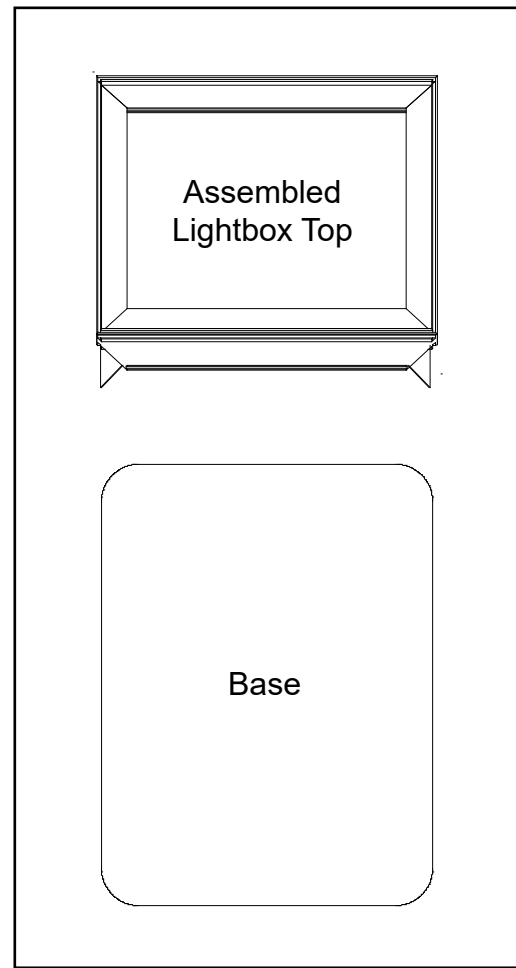


LADDERS OR LIFTS
MAY BE REQUIRED

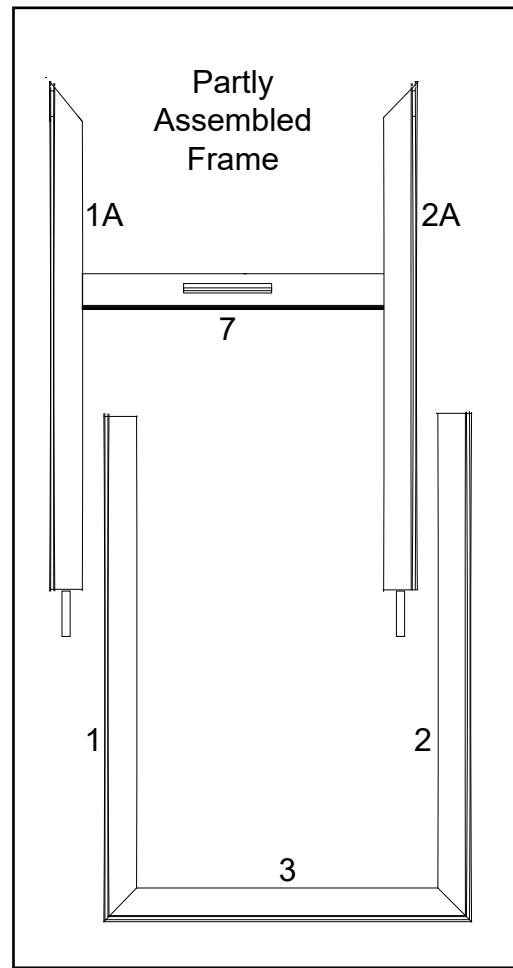


ALL CONNECTIONS MUST
BE TIGHTLY SECURED

Top View of Each Level



Level 1



Level 2

